

## Handwheels

Aluminum, Powder Coated, for Linear Actuators

### SPECIFICATION

#### Types

- Type **A**: Without handle
- Type **R**: With revolving handle
- Type **RU**: With revolving retractable handle

Aluminum die casting

- Machined hub
- Turned rim
- Powder coated  
Black, RAL 9005, textured finish **SW**

Concentricity and axial run-out tolerance of the rim < 0.4

Revolving Handles GN 798.2 (see page 578) / Retractable Handles GN 798.3 (see page 586) / Revolving Cylinder Handles GN 599.5

### INFORMATION

Handwheels GN 9234 are intended for use with linear actuators and are designed as disk or spoked handwheels, depending on their size.

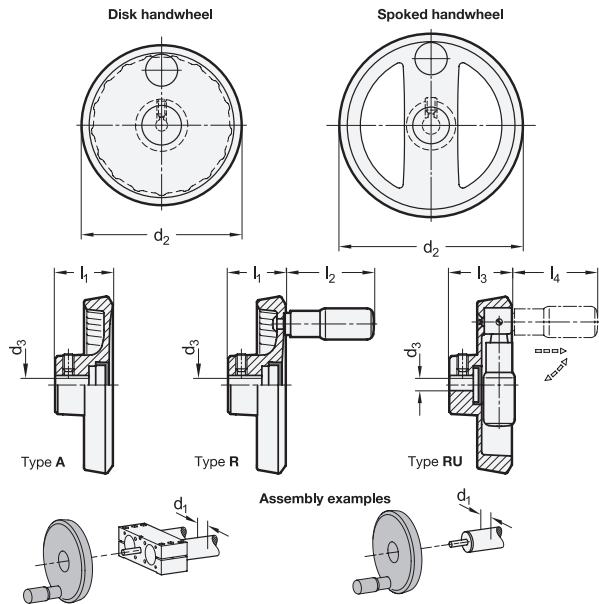
The applied torque is transmitted by means of a parallel key, and the handwheel is secured axially with the supplied grub screw. The handwheels can be ordered without handles, with revolving handles or with revolving retractable handles.

### TECHNICAL INFORMATION

- Keyway DIN 6885 (see page A16)
- Cross Holes GN 110 (see page A17)
- ISO-Fundamental Tolerances (see page A21)

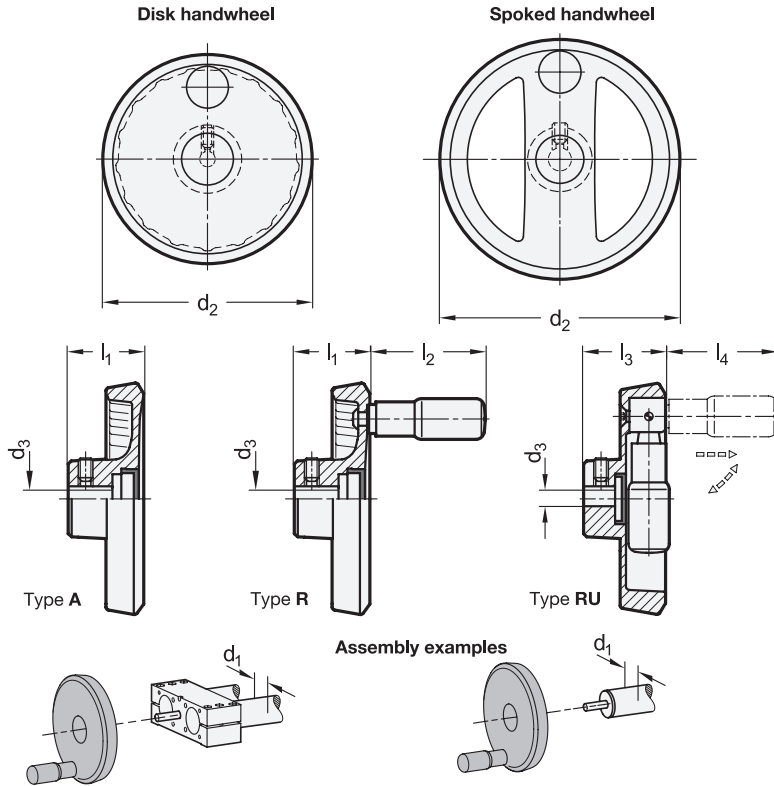


reddot design award



### GN 9234-A

| Description         | d <sub>1</sub> | d <sub>2</sub><br>Disk<br>handwheel | d <sub>2</sub><br>Spoked<br>handwheel | d <sub>3</sub> H7<br>Bore | l <sub>1</sub> ≈ | ⚖   |
|---------------------|----------------|-------------------------------------|---------------------------------------|---------------------------|------------------|-----|
| GN 9234-18-50-A-SW  | 18             | 50                                  | -                                     | 6                         | 26               | 66  |
| GN 9234-18-80-A-SW  | 18             | 80                                  | -                                     | 6                         | 26               | 105 |
| GN 9234-30-63-A-SW  | 30             | 63                                  | -                                     | 8                         | 27               | 104 |
| GN 9234-30-100-A-SW | 30             | 100                                 | -                                     | 8                         | 30               | 158 |
| GN 9234-40-100-A-SW | 40             | 100                                 | -                                     | 12                        | 30               | 155 |
| GN 9234-40-125-A-SW | 40             | -                                   | 125                                   | 12                        | 33.5             | 260 |
| GN 9234-50-140-A-SW | 50             | -                                   | 140                                   | 12                        | 36.5             | 351 |
| GN 9234-60-160-A-SW | 60             | -                                   | 160                                   | 14                        | 39.5             | 491 |



GN 9234-R

| Description         | d1 | d2<br>Disk<br>handwheel | d2<br>Spoked<br>handwheel | d3 H7<br>Bore | l1 ≈ | l2 ≈ | Ø<br>Handle<br>GN 599.5 | Ø<br>Handle<br>GN 798.2 | ⚖   |
|---------------------|----|-------------------------|---------------------------|---------------|------|------|-------------------------|-------------------------|-----|
| GN 9234-18-50-R-SW  | 18 | 50                      | -                         | 6             | 26   | 20   | 13                      | -                       | 77  |
| GN 9234-18-80-R-SW  | 18 | 80                      | -                         | 6             | 26   | 43.5 | -                       | 16                      | 132 |
| GN 9234-30-63-R-SW  | 30 | 63                      | -                         | 8             | 27   | 20   | 13                      | -                       | 115 |
| GN 9234-30-100-R-SW | 30 | 100                     | -                         | 8             | 30   | 58   | -                       | 18                      | 189 |
| GN 9234-40-100-R-SW | 40 | 100                     | -                         | 12            | 30   | 58   | -                       | 18                      | 205 |
| GN 9234-40-125-R-SW | 40 | -                       | 125                       | 12            | 33.5 | 61.5 | -                       | 22                      | 339 |
| GN 9234-50-140-R-SW | 50 | -                       | 140                       | 12            | 36.5 | 76.5 | -                       | 24                      | 437 |
| GN 9234-60-160-R-SW | 60 | -                       | 160                       | 14            | 39.5 | 76.5 | -                       | 24                      | 577 |

GN 9234-RU

| Description          | d1 | d2<br>Disk<br>handwheel | d2<br>Spoked<br>handwheel | d3 H7<br>Bore | l3 ≈ | l4 ≈ | Ø<br>Handle<br>GN 798.3 | ⚖   |
|----------------------|----|-------------------------|---------------------------|---------------|------|------|-------------------------|-----|
| GN 9234-30-100-RU-SW | 30 | 100                     | -                         | 8             | 39   | 56.5 | 18                      | 260 |
| GN 9234-40-100-RU-SW | 40 | 100                     | -                         | 12            | 39   | 56.5 | 18                      | 305 |
| GN 9234-40-125-RU-SW | 40 | -                       | 125                       | 12            | 45   | 60.5 | 22                      | 461 |
| GN 9234-50-140-RU-SW | 50 | -                       | 140                       | 12            | 47   | 75.5 | 24                      | 609 |
| GN 9234-60-160-RU-SW | 60 | -                       | 160                       | 14            | 48   | 75.5 | 24                      | 729 |

